

PULIPOMP

EQUIPMENT FOR DIFFUSION WASHING



Pulipomp HP 5,5 380 Volt

ADVANTAGES

OPTIMAL
CLEANING OF
CONTAINERS

SIGNIFICANT
LABOR
SAVINGS

NO DAMAGE TO
STEEL TANKS OR
ENAMELED
SURFACES

ELIMINATION OF RISKS
FOR THE OPERATOR
DURING WASHING
OPERATIONS

AEB ENGINEERING: VERSATILE AND EFFECTIVE WASHING TOOLS FOR COMPANIES

Pulipomp system is produced by our **AEB ENGINEERING** division, which, thanks to **100% in-house and on-site production**, ensures the highest quality and reliability of the technologies used. **AEB ENGINEERING** specializes in the development of equipment for cleaning, hygiene, and sanitation of industrial containers and tanks, analytical devices, and systems for food processing and production. Additionally, it offers **flexible and personalized support**, both during installation and after-sales.



Washing containers, tanks, or cisterns can be a complex and dangerous for operators due to the risks from gas accumulation (CO₂ and SO₂), which can cause asphyxiation or intoxication. Additionally, there are dangers from alkaline detergents, which can cause burns. If not performed correctly, container washing can also damage steel tanks or enameled surfaces.

Pulipomp solves all these problems, **allowing for perfect container cleaning without the need for the operator to enter them.**

The jets can reach **heights of 8-10 meters**, ensuring thorough cleaning, descaling, disinfestation, and sterilization of containers, wine vats, tanks, autoclaves, etc.

Pulipomp Idropress, operating in a recycling mode with continuous spraying of the detergent solution, achieves **significant savings in detergents or descalers**, as their effectiveness is fully utilized until exhaustion.

OPERATION

Idropress o **Idrotank**, after being connected to the delivery hose, is inserted into the wine vat, tank, autoclave, etc., in the position most suitable for its operation.

The discharge of the detergent, descaler, or biocide solution is directly connected to the suction system of the **self-priming Pulipomp** or collected in a basin placed under the hatch.

After introducing the necessary amount of water into the tank or basin to feed **Pulipomp**, the detergent, descaler, or biocide is added, dissolving immediately due to the forced water circulation.

The **Idrosphere**, mounted on **Idropress** or **Idrotank**, delivers a large amount of solution under pressure, allowing any type of container to be washed or sterilized in just a few minutes. Therefore, with a single **Pulipomp Idropress** or **Pulipomp Idrotank** station, a large number of tanks can be washed, sterilized, or descaled in a very short time.

Once the cleaning or descaling of the container is complete, **Idropress** or **Idrotank** can be removed in seconds and transferred to another tank.

This enables faster utilization of containers and thus improves production scheduling.

COMPONENTS

PULIPOMP

Self-priming pumping equipment for diffusion washing, consisting of a self-priming monoblock centrifugal pump, mounted on a corrosion-resistant stainless steel trolley.

Pulipomp is equipped with Ø 50 Garolla fittings for both inlet and outlet. It can supply the **Idropress** diffusion washing station or serve as a centralized unit to feed a series of fixed **Idrosphere** installed in containers.

PULIPOMP MODELS

Three-phase asynchronous motor
HP 10 - kW 7.5

Three-phase asynchronous motor
HP 5.5 - kW 4

TECHNICAL SPECIFICATIONS

- Voltage: 230-400V, 50 Hz
3P+T 32A plug
- Self-priming monoblock centrifugal pump with special seals for alkalis, mounted on a stainless steel trolley
- Weight: 75 kg
- Garolla fittings Ø 50 mm

FLOW RATE

UP TO 15 M	850 L/M
UP TO 23 M	500 L/M
UP TO 31 M	200 L/M

Three-phase asynchronous motor HP 5.5

UP TO 30 M	600 L/M
UP TO 45 M	400 L/M
UP TO 53 M	200 L/M

Three-phase asynchronous motor HP 10



Idropress

IDROPRESS

Idropress consists of a base and supports made of **stainless steel 18/8 (AISI 304)**, with adequate weight to ensure perfect stability during washing, complemented by an **adjustable Idrosphere**.

Technical specifications:

- **Idrosphere made of stainless steel 18/8 (AISI 304)** with variable orientation support
- Weight: 16 kg

IDROTANK

Special telescopic support made of stainless steel 18/8 (AISI 304), designed for **autoclaves**. It can be fixed to the manhole and is equipped with an **adjustable Idrosphere**.



Idrotank



Idrosphere

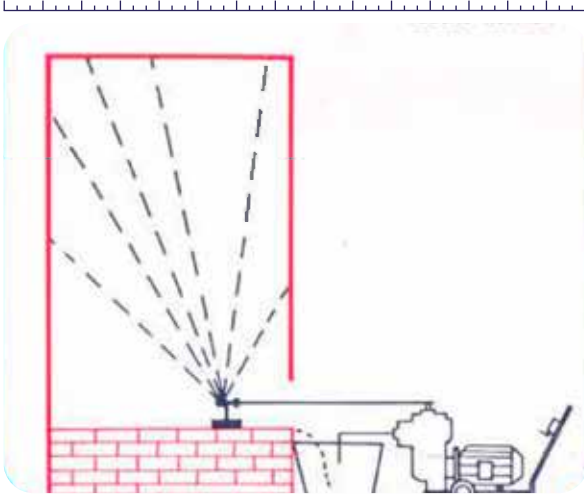
IDROSPHERE

It can be mounted on **Idropress** or another **Idrotank** support and has an elliptical shape. Made entirely of **stainless steel 18/8 (AISI 304)**, it features a perforation system on the upper part and a flow orientation designed to achieve constant and continuous diffusion of the detergent solution over all surfaces of the containers, even in the most inaccessible areas and dead spots.

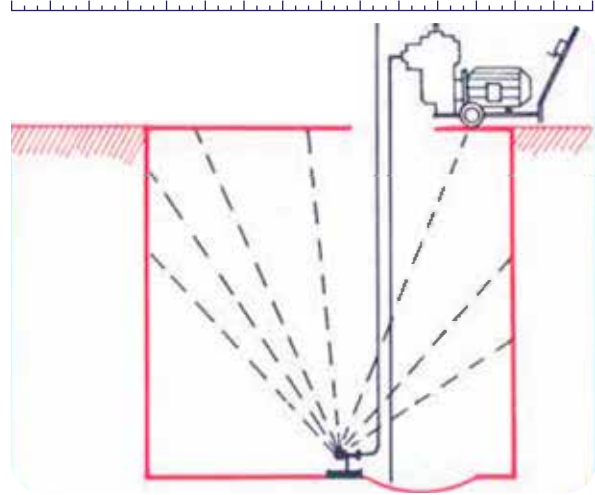
Moreover, the specific perforation is very useful for expelling grape seeds or any residual sediment that may detach from the walls of the wine vat, preventing any obstruction. The 90° orientation of the perforation and the 1:4 ratio concerning the flow entry create a vortex inside the **Idrosphere**, caused by the undulatory and oscillatory motion from the recycled solution, **thereby increasing the effectiveness of the washing solution diffusion**.

Idrosphere can also be provided separately for fixed installations on container batteries, with centralized **Pulipomp** washing systems.

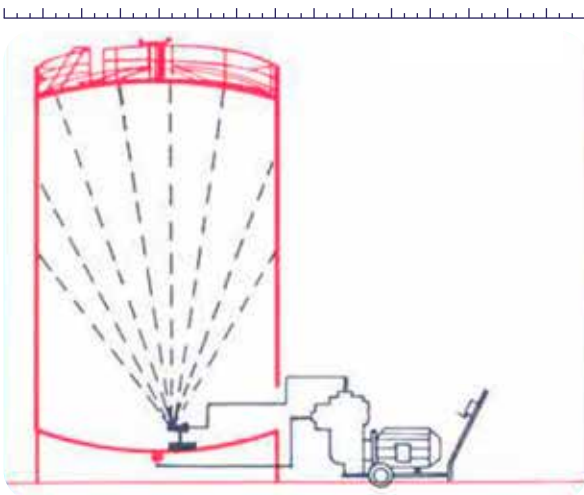
Examples of installation for the **Pulipomp Idropress** washing equipment:



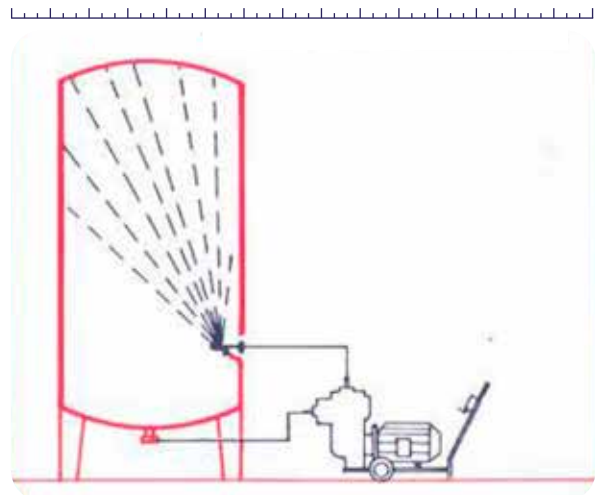
Tanks



Underground basins



Large reservoirs



Autoclaves, vertical and horizontal vats

SUGGESTED PRODUCTS

DETERGENTS



STERILIZATION - SANITATION



DESCALING

